

## USER INSTALLATION REFERENCE GUIDE

## Introduction

Thank you for choosing Tate Strut. The purpose of this guide is to provide you with a reference for typical installation situations. We would be interested in hearing any comments you have on this installation manual, product, or overall experience. Please call or email Technical Services:

Phone: 410-799-4200

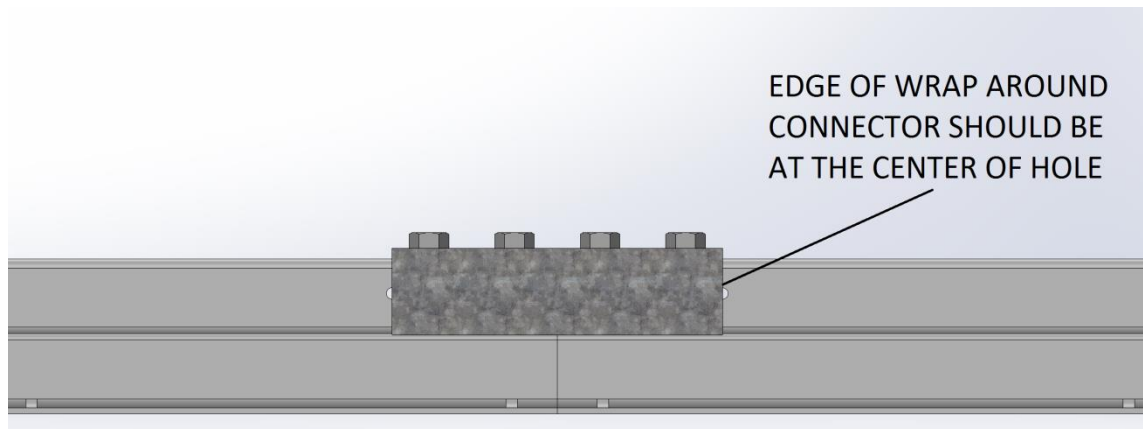
Email: [TateInfo@tateinc.com](mailto:TateInfo@tateinc.com)

## Safety

- 2 or more people are required for handling some of the pieces for this system.
- Wear personal protective equipment (PPE) when drilling, cutting, or installing. PPE includes gloves, safety eyeglasses, hardhats, etc.
- Do not put a load on the system until the installation is complete.
- Be sure all bolts, nuts, and threaded rods are properly tightened down.

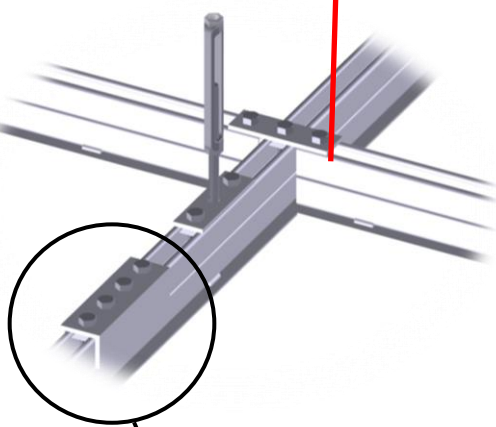
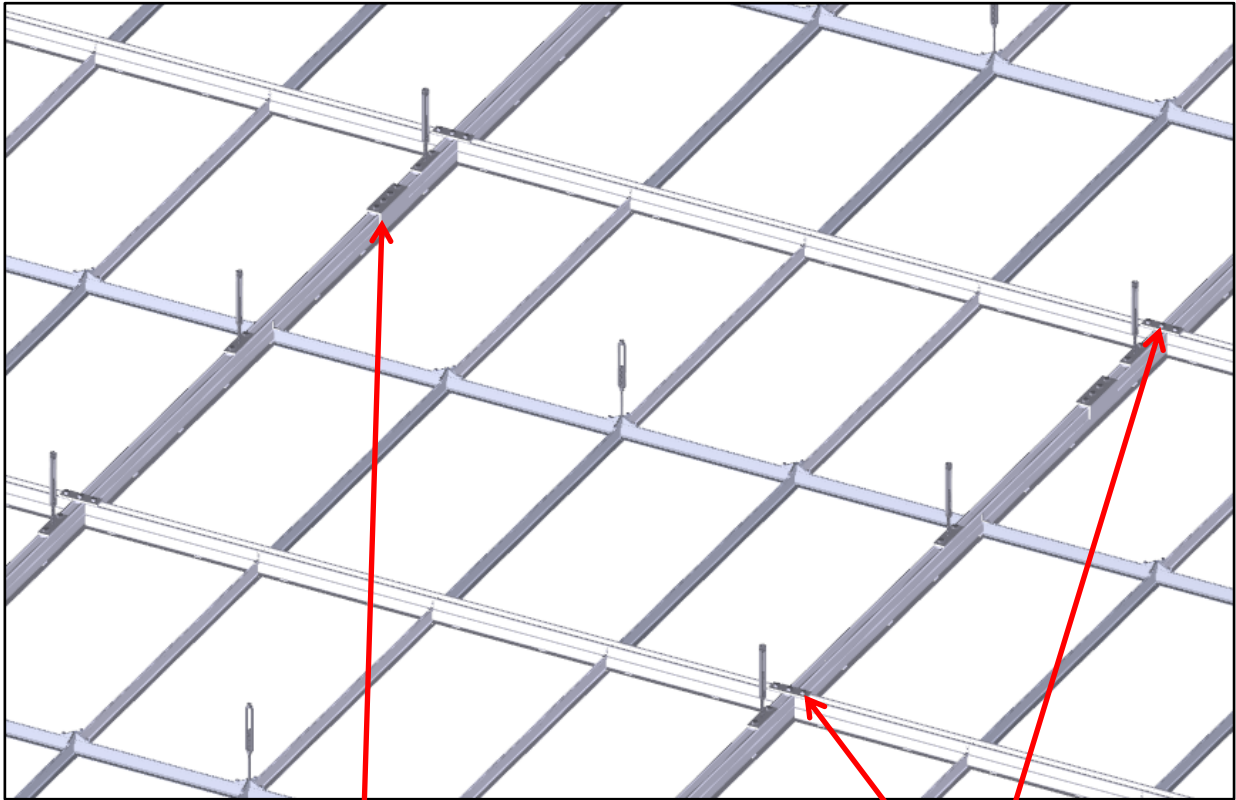
## Main Runner Spacing

Main runners do not always meet flush at the ends, there will often need to be a small gap between the ends of main runners. When hanging the main runners, the spacing between the holes for the cross tees must be kept at the correct distance to maintain the proper grid spacing. To assist with this, holes are pre-drilled at each end of the main runner. The edges of the wrap around bracket should be lined up with the center of the pre-drilled holes.



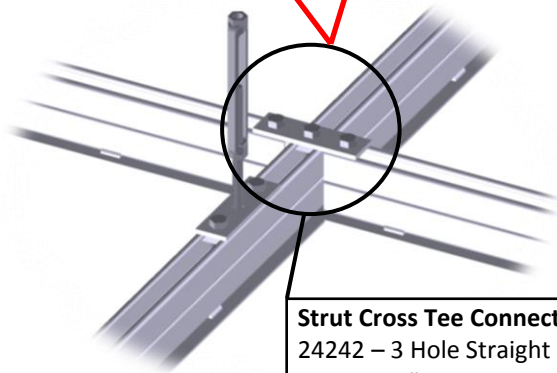
## Bolt Torque

All bolts on connector bodies should be torqued to at least 180 ft-lb.



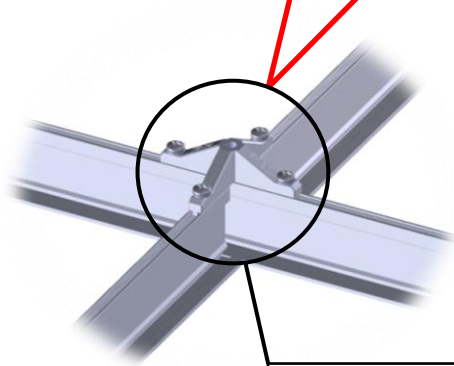
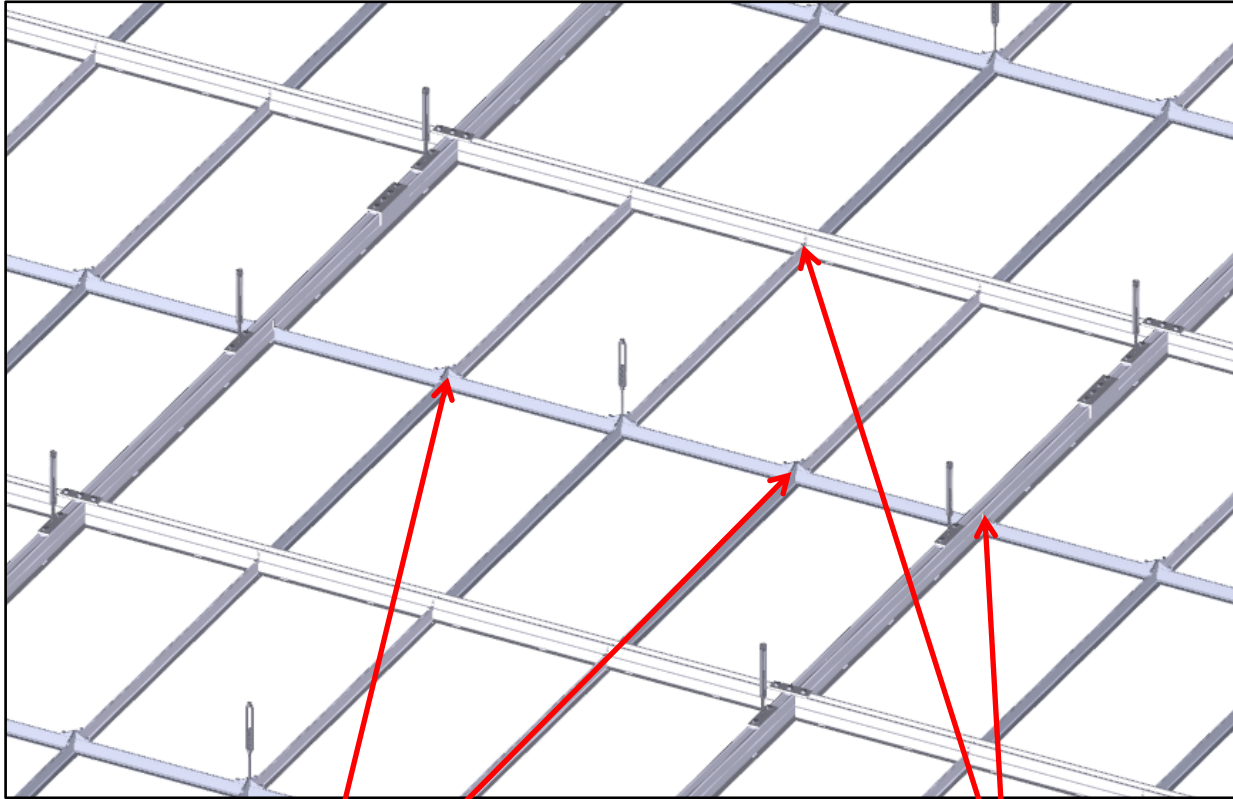
**Joint of Main Runners**

- 24244 – Strut Wrap Around Bracket
- 24237 – ½" Spring Nut
- 24238 – ½" Bolt
- 24606 – Splice Bracket (underside)
- 24607 – 1/4" Set Screw

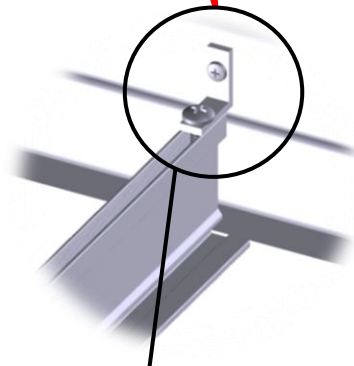


**Strut Cross Tee Connection**

- 24242 – 3 Hole Straight Bracket
- 24237 – ½" Spring Nut
- 24238 – ½" Bolt

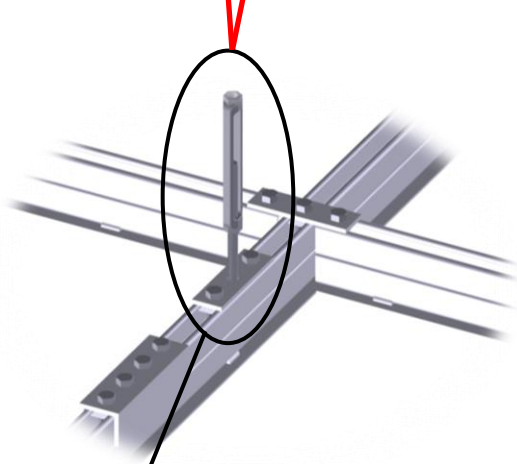
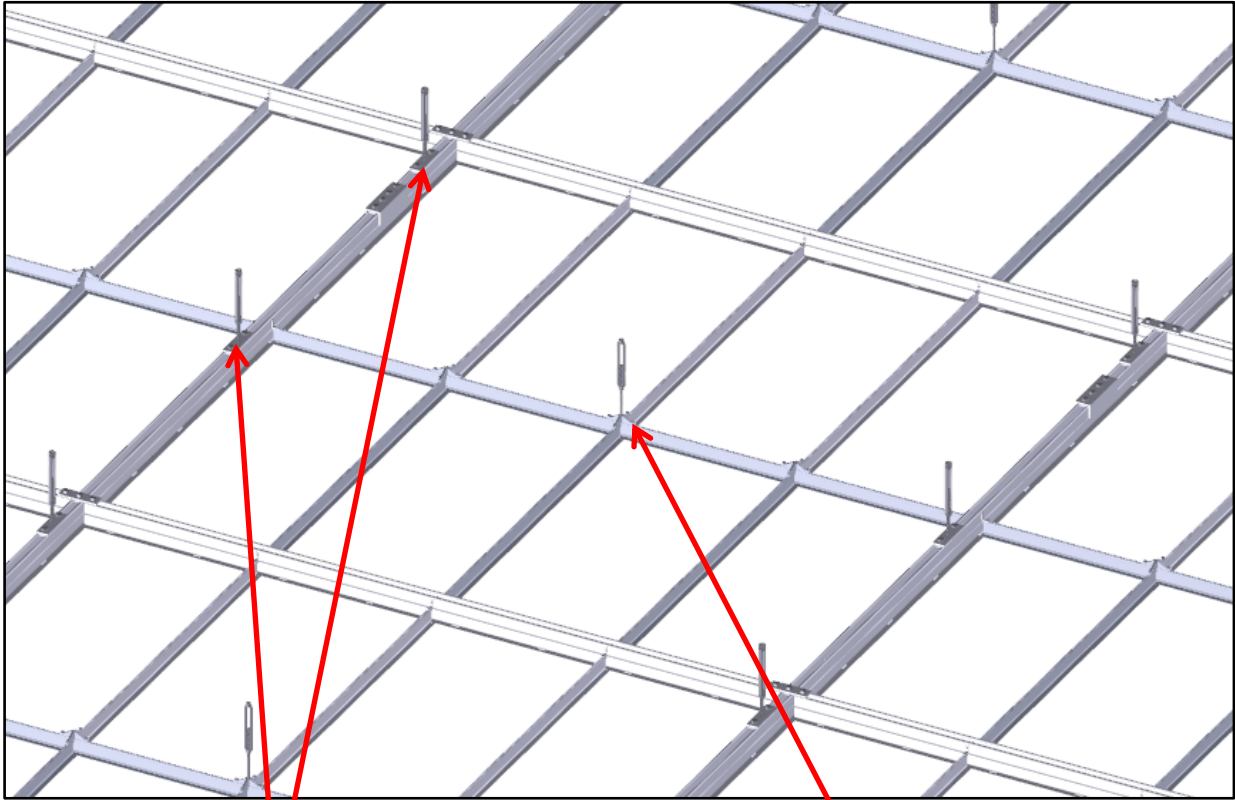


**LS Grid Intersection**  
22293 – Field Connector  
24311 – Bolt  
23078 – Washer



**LS Grid to Strut Connection**  
24421 – Bracket  
11525 – Strut Screw  
24422 – Grid Screw





**Hanger for Strut Mains**

- 24239 – ½" Turnbuckle & Starter Rod
- 24242 – 3 Hole Straight Bracket
- 24417 – Nut to lock all thread
- 24418 – Washer
- 24237 – Spring Nut
- 24238 – Bolt



**Hanger for LS Grid**

- 23075- 3/8" Turnbuckle & Starter Rod
- 22293 – Field Connector
- 24311 – Bolt
- 23078 – Washer

