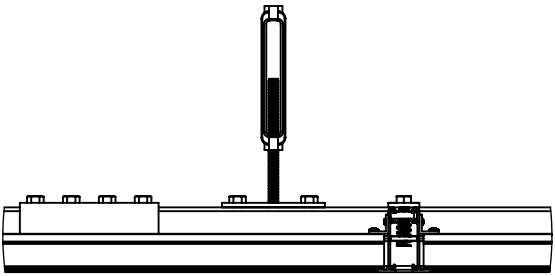
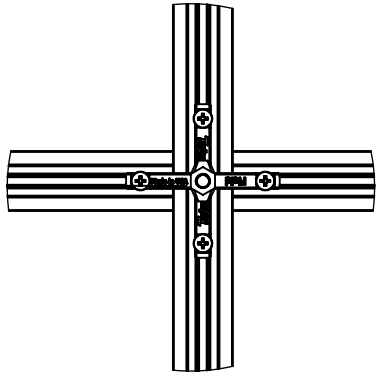


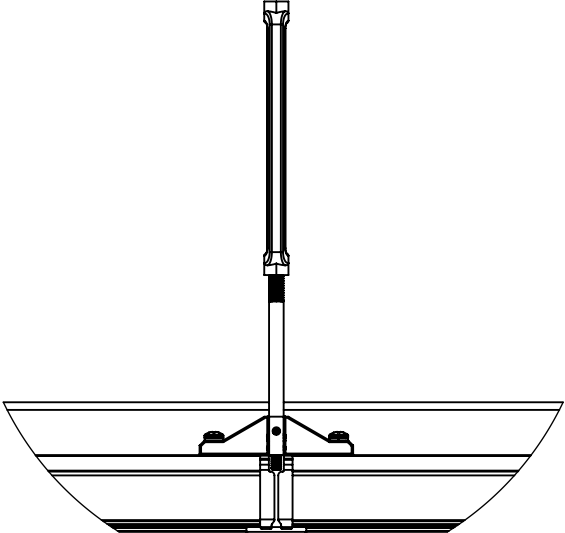
DETAIL A  
SCALE 1 : 10



ELEVATIONDETAIL  
SCALE 1 : 10



DETAIL B  
SCALE 1 : 5



ELEVATION DETAIL  
SCALE 1 : 5

GRID SPACING AND CONFIGURATION CAN  
BE CUSTOMIZED UPON REQUEST

**PROPRIETARY AND CONFIDENTIAL**  
THE INFORMATION CONTAINED IN THIS  
DRAWING IS THE SOLE PROPERTY OF TATE  
ACCESS FLOORS. ANY REPRODUCTION IN  
PART OR AS A WHOLE WITHOUT THE  
WRITTEN PERMISSION OF TATE ACCESS  
FLOORS IS PROHIBITED.

UNLESS OTHERWISE SPECIFIED:  
DIMENSIONS ARE IN INCHES (MM)  
TOLERANCES:  
ANGULAR: ±1  
ONE PLACE DECIMAL ±.1  
TWO PLACE DECIMAL ±.01  
THREE PLACE DECIMAL ±.005

MATERIAL  
FINISH  
DO NOT SCALE DRAWING

**Tate**

TITLE: **TATE STRUT  
DETAIL**

SIZE B	DWG. NO.	REV 0
-----------	----------	----------

SCALE: 1:20 SHEET 1 OF 1