

### SPECIFICATIONS

#### General Information

- 4 x EC Fans for 100% variable airflow supply and redundancy
- Up to four probes for accurate temp control
  - (1 included)
- Visual user interface for set point control
- Supports 0-16kW IT Load at 0.0" H2O
- Consumes < 255 W at 100% fan speed
- 23.1"x27"x5" for use in 8" FFH or Greater
- Universal Voltage input (100-240V)
  - 120V: [FLA: 2.3A; MCA: 2.9A; MOCP: 15A]◦
  - 240V: [FLA: 1.2A; MCA: 1.5A; MOCP: 15A]
- Fan speeds infinitely variable 0-100%
- Multi-point Monitoring System (Fan Speed, Temperature Sensor, "Keep-Alive" Monitoring)
- Adjustable Minimum / Maximum Fan Speed Settings
  - Default: Min=30%, Max=65%

### INCLUDED COMPONENTS

- PowerAire®
- 4 Tool-less String Hangers
- 4 Alternative Corner Lock Hangers
- 1 Temperature Monitoring Probe
- Zip Ties for Temperature Probes
- 6' Power Cord (100-120V) (IEC C14 inlet)
- Single Input power supply

### OPTIONS

- Up to 3 Additional Temperature Probes
- Redundant Universal Power Supply (100-240V)

### RECOMMENDED AIRFLOW PANELS

- DirectAire®
- DirectAire® X2
- DirectAire® AI

### UNDERSTRUCTURE OPTIONS

- 24" Bolted Steel System
- 48" Bolted Steel System



Alternative Corner Lock Hangers



User set point control, display for Rack Face Temperature

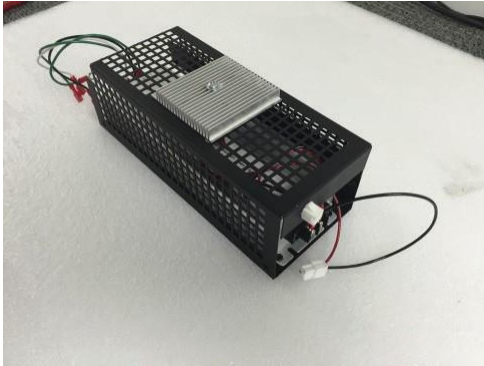


4 x Redundant Energy Efficient EC Fans with 0-100%



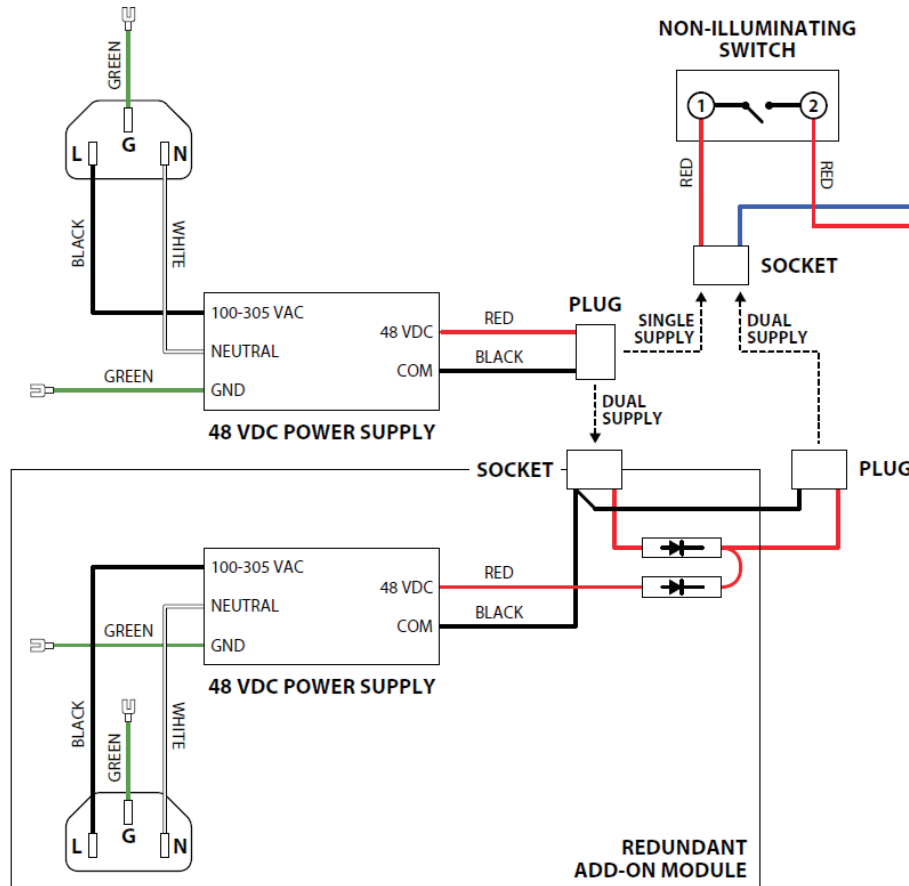
Temperature Sensor Control Cable Probe Connection

**REDUNDANT UNIVERSAL POWER SUPPLY**

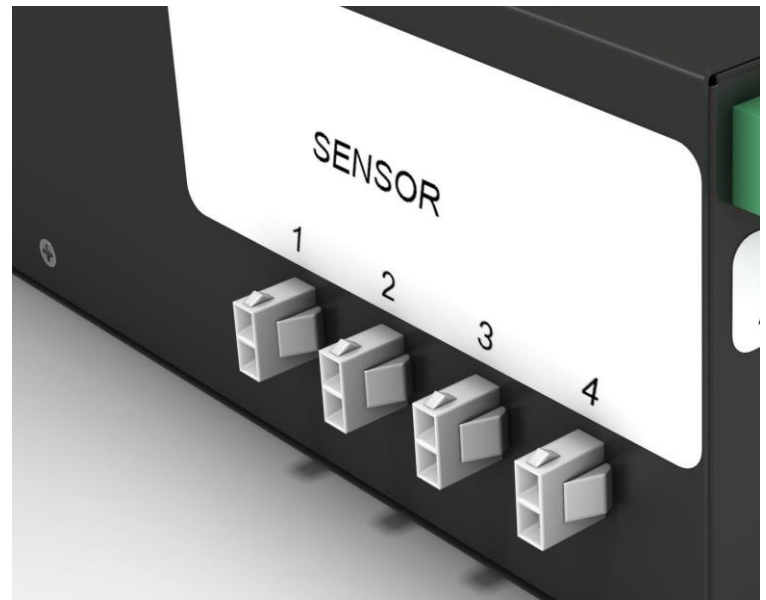


Universal secondary power supply is easily installed by removing cover plate and wiring pre-terminated connections into PowerAire Quad and replacing cover plate.

**REDUNDANT UNIVERSAL POWER SUPPLY (23358) WIRING DIAGRAM**



## ADDITIONAL TEMPERATURE PROBES



Up to three additional Temperature Probes are also available for the PowerAire Quad for a 4 sensor system. The fan speed is determined based upon the highest sensed temperature value across all of the installed temperature sensors.

### To install additional temperature sensors:

1. Hold down the up and down arrows until the display begins to flash
2. Press the "set" key until the display flashes the number of sensors variable is shown and begins flashing
3. Press the up and down arrows to set the correct number of sensors connected
4. Hold down the set key for 5 seconds until the display stops flashing and current temperature is shown again



### Serial Port and Contact Ports

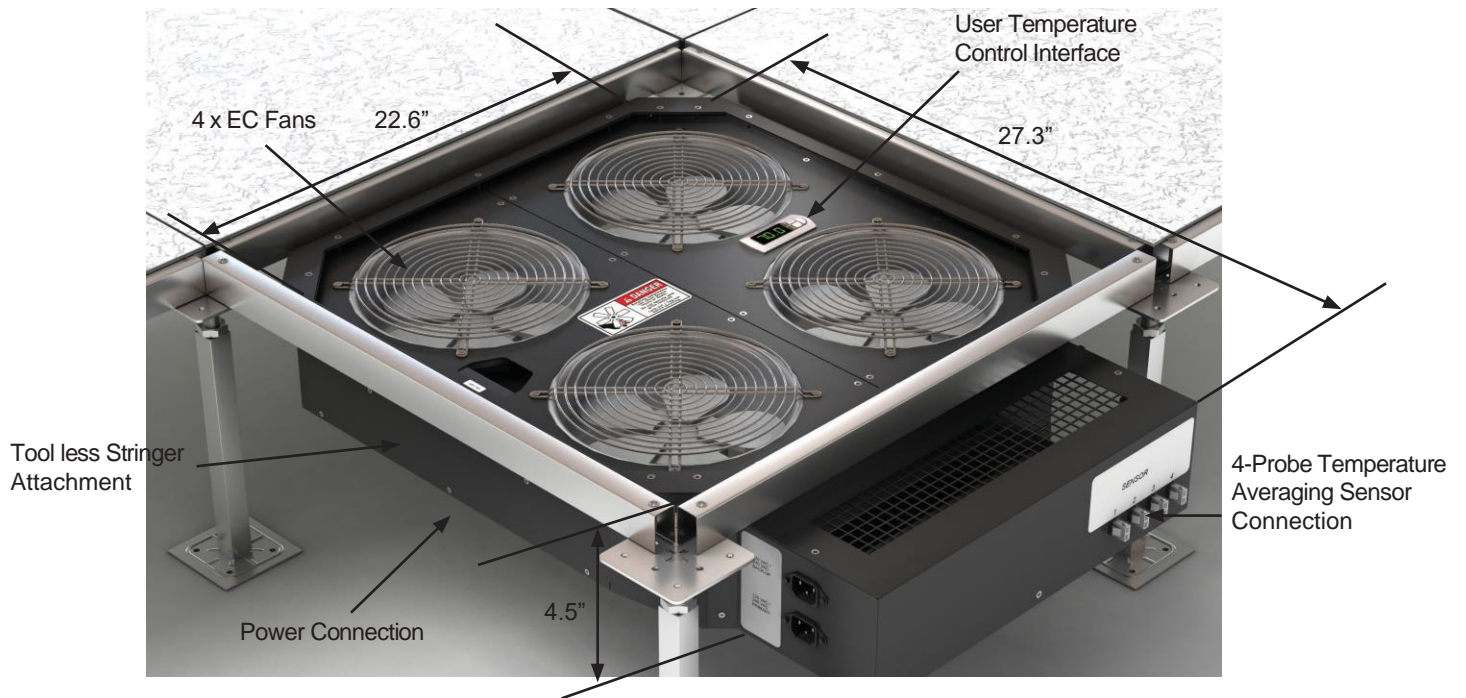
The PowerAire Quad fan unit is equipped with both an external serial communication port for BMS interfacing (with appropriate BMS card) and a contact port which enables the user to receive a general alarm contact point and send an enable signal to unit for remote power up function



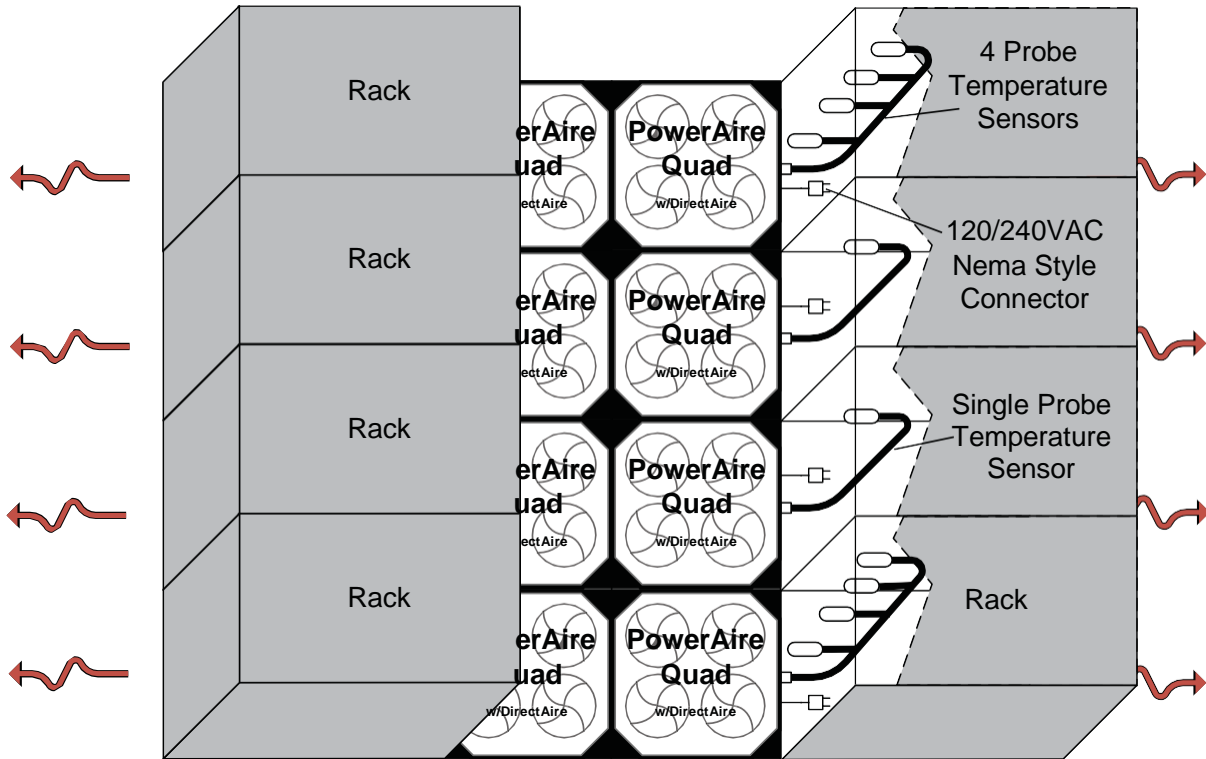
### PERFORMANCE

Static Pressure (in H2O)	PowerAire® Quad w/ DirectAire®		PowerAire® Quad w/ DirectAire® AI	
	CFM @ 100% Power	CFM @ 0% Power	CFM @ 100% Power	CFM @ 0% Power
0.02	2010	250	2035	250
0.04	2070	375	2110	350
0.05	2085	410	2120	400
0.06	2120	455	2145	475
0.08	2165	535	2155	580
0.10	2205	600	2160	720

### INSTALLATION



**WIRING DIAGRAM**



Note: PowerAire® Quad shown within the interior portion of an aisle.