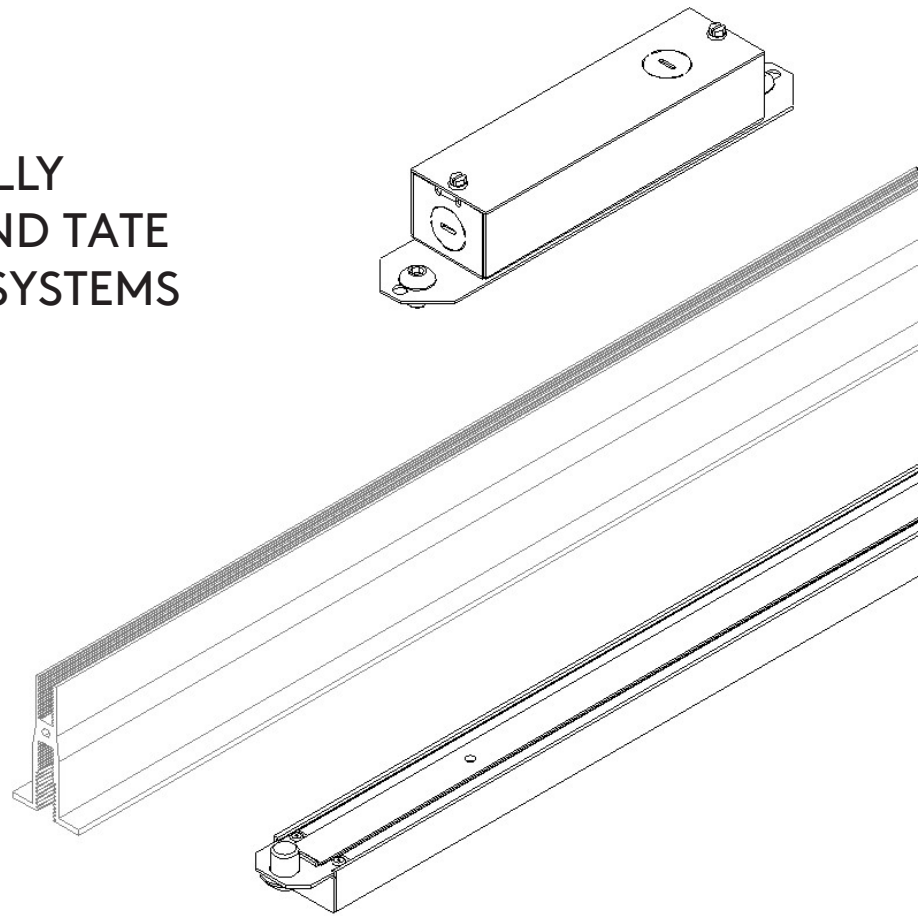


THIS PRODUCT IS SPECIFICALLY
DESIGNED FOR TATE GRID AND TATE
DUO STRUCTURAL CEILING SYSTEMS



CAUTION:

- TATE INC. will not be responsible if the fixtures are not installed according to applicable codes and safety standards.
- This fixture must be installed and wired by a qualified electrician.
- Installation is subject to local code and jurisdiction.
- Keep these instructions for the person responsible for the maintenance of this installation.



RoHS

MADE IN THE USA



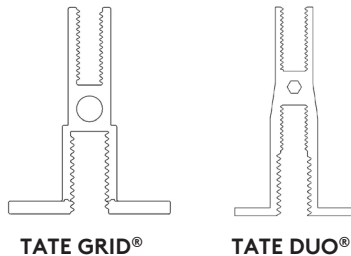
ETL LISTED FOR INDOOR USE

ATTENTION: READ ALL INSTALLATION INSTRUCTIONS ENTIRELY BEFORE INSTALLING PRODUCT

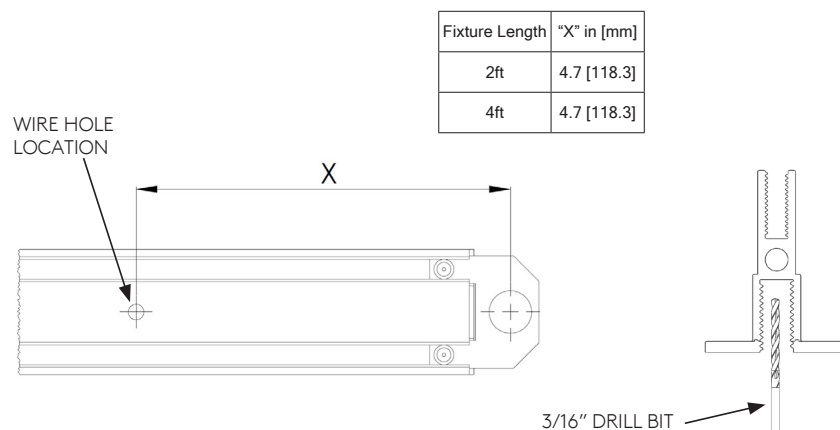
MECHANICAL INSTALLATION OF TATE LED

1. IN A NEW OR EXISTING TATE® STRUCTURAL GRID SYSTEM, LOCATE THE POSITIONS OF WHERE THE TATE LED™ IS TO BE INSTALLED ACORDING TO THE LIGHT REQUIREMENT.

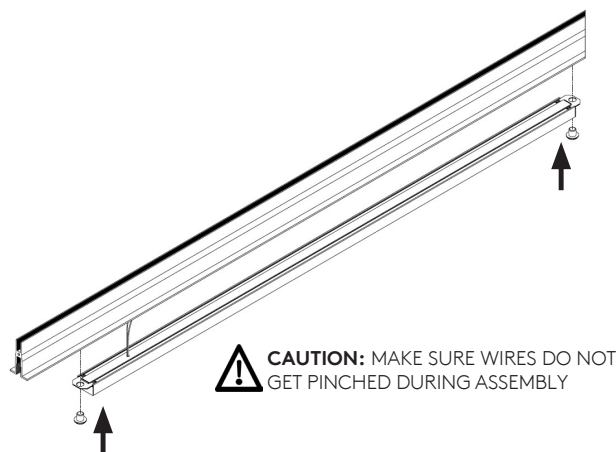
COMPATIBLE GRID SYSTEMS



2. IN THE DESIRED LOCATION OF A LIGHT, USE A 3/16" DRILL BIT AND DRILL A HOLE IN THE APPROPRIATE LOCATION (DETERMINED FROM USING EITHER A 2' OR 4' TATE LED™ FIXTURE) THROUGH THE GRID FOR THE LOW VOLTAGE WIRES TO PASS THROUGH. THE HOLE CAN BE DRILLED FROM EITHER SIDE OF THE GRID.

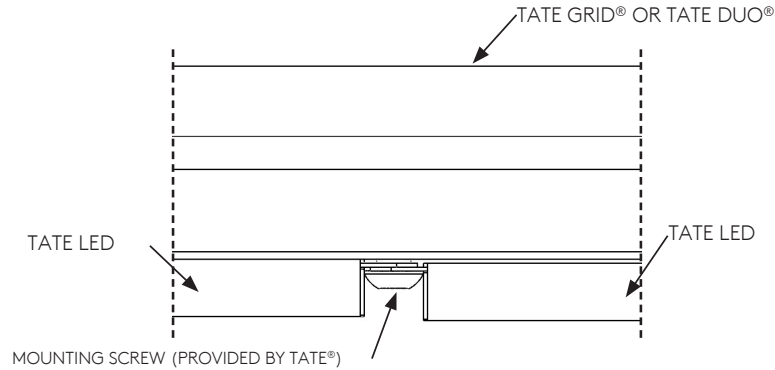


3. HOLDING THE TATE LED™ UP TO THE GRID WHERE THE HOLE IS DRILLED, PASS THE WIRES THROUGH THE HOLE FROM BELOW THE CEILING. AS THE WIRES ARE PULLED THROUGH, ALIGN THE MOUNTING BRACKETS ON THE TATE LED WITH THE BOTTOM SLOT OF THE GRID AND MAKE SURE THE FIXTURE IS CENTERED ON THE GRID. USING (2) APPROPRIATELY SIZED SCREWS (PROVIDED BY TATE®) FOR THE BOTTOM SLOT, ATTACH THE FIXTURE TO THE GRID.

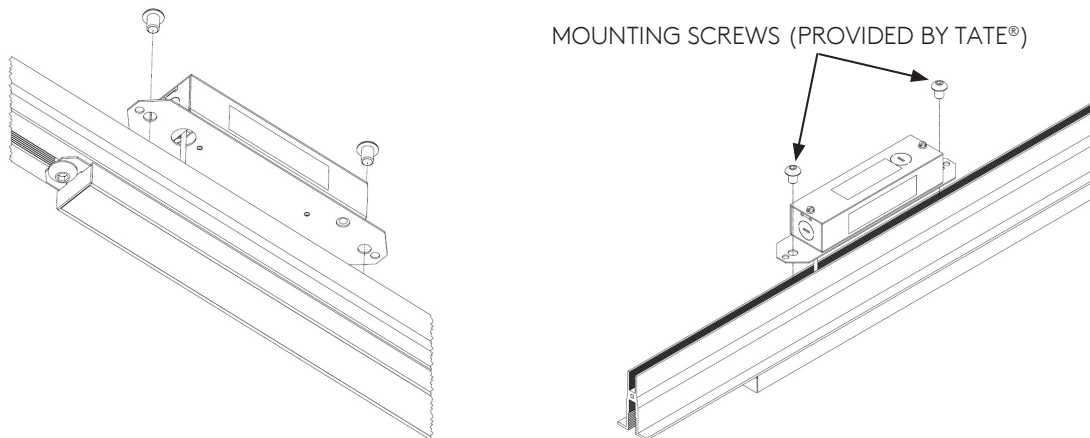


ATTENTION: READ ALL INSTALLATION INSTRUCTIONS ENTIRELY BEFORE INSTALLING PRODUCT

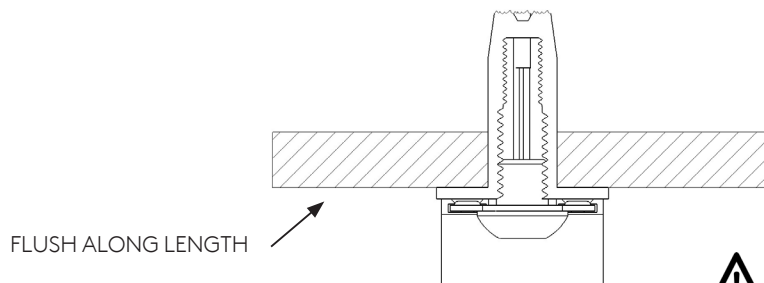
4. IF WORKING WITH MULTIPLE TATE LED FIXTURES IN A CONTINUOUS ROW, THE MOUNTING BRACKETS CAN BE OVERLAPPED. ALIGN THE MOUNTING BRACKET HOLES THEN ADD AN APPROPRIATE SIZE SCREW THROUGH THE HOLES INTO THE GRID.



5. WORKING ABOVE THE CEILING PLANE, USE THE PROVIDED METAL JUNCTION BOX WITH MOUNTING PLATE AND PASS THE LOW VOLTAGE WIRES FROM THE TATE LED THROUGH THE SLOT IN THE JUNCTION BOX. SECURE THE JUNCTION BOX WITH MOUNTING PLATE TO THE BACK OF THE GRID USING (2) APPROPRIATELY SIZED SCREWS (PROVIDED BY TATE®).



6. VERIFY THE TATE LED FIXTURE IS AGAINST AND CENTERED ON THE GRID. AFTER THE EC HAS ELECTRIFIED THE TATE LED (SEE FOLLOWING PAGE FOR INSTRUCTION), THE CEILING TILES CAN BE PLACED IN THEIR CORRECT POSITION OVER THE TATE LED.



NOTE: ONLY REGULAR AND LAY-IN TILES CAN BE USED WITH THE TATE LED

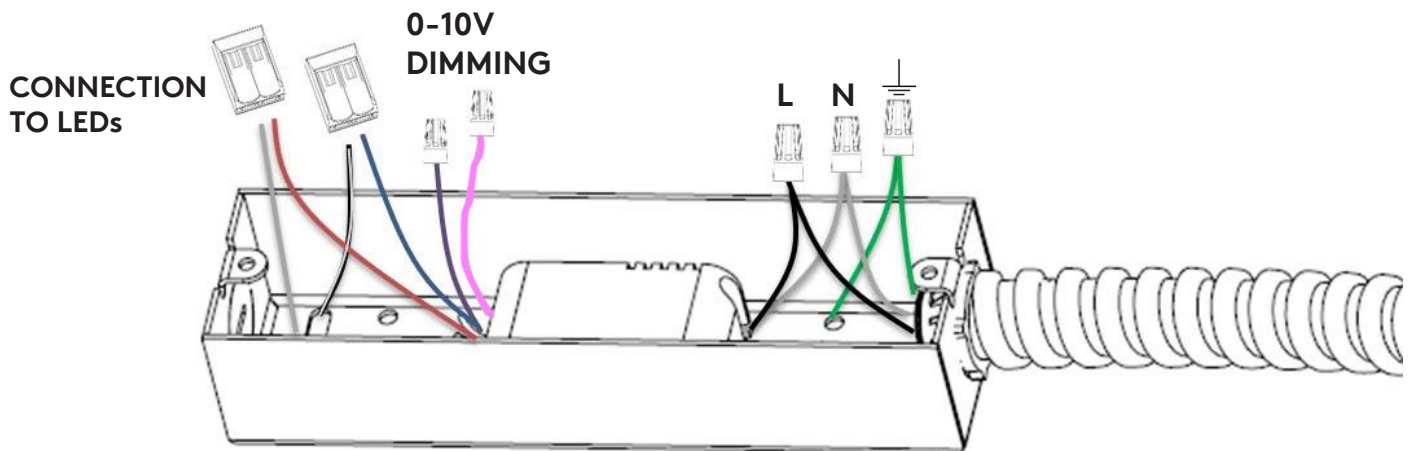
ATTENTION: READ ALL INSTALLATION INSTRUCTIONS ENTIRELY BEFORE INSTALLING PRODUCT

WIRING INSTRUCTIONS

1. OPEN THE JUNCTION BOX COVER AND MAKE THE LOW VOLTAGE CONNECTIONS FROM LED DRIVER TO FIXTURE USING THE PROVIDED LEVER CONNECTORS.

FIXTURE		DRIVER
WHITE	➔	RED
WHITE/BLACK	➔	BLUE

2. CONNECT THE PURPLE AND PINK WIRES TO DIMMING SYSTEM, IF REQUIRED.
3. MAKE WIRING CONNECTIONS TO BRANCH CIRCUIT.
4. REPLACE THE JUNCTION BOX COVER.



ELECTRICAL RATINGS

INPUT VOLTAGE: 120-277V, 50/60 Hz

Refer to product label for specific wattage rating

Suitable for continuous row mounting

ATTENTION: READ ALL INSTALLATION INSTRUCTIONS ENTIRELY BEFORE INSTALLING PRODUCT