

USER INSTALLATION REFERENCE GUIDE

Introduction

Thank you for choosing Tate Grid. The purpose of this guide is to provide you with a reference for typical installation situations. We would be interested in hearing any comments you have on this installation manual, product, or overall experience. Please call or email Technical Services:

Phone: 410-799-4200 Email: TateInfo@tateinc.com

Safety

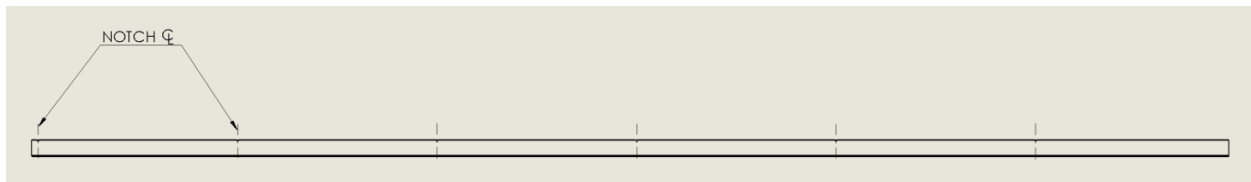
- 2 or more people are required for handling some of the pieces for this system.
- Wear personal protective equipment (PPE) when drilling, cutting, or installing. PPE includes gloves, safety eyeglasses, hardhats, etc.
- Do not put a load on the system until the installation is complete.
- Be sure all bolts, nuts, and threaded rods are properly tightened down.

Cleaning

To clean Tate Grid components please use a common non-abrasive mild detergent containing less than 0.5% phosphate and water, applied using a sponge. The components should be dried using a soft towel. If solvents are required to remove materials not soluble in water such as petroleum products, the following solvents can be used: Isopropyl alcohol, denatured alcohol, mineral spirits or methanol.

Main Runner Alignment

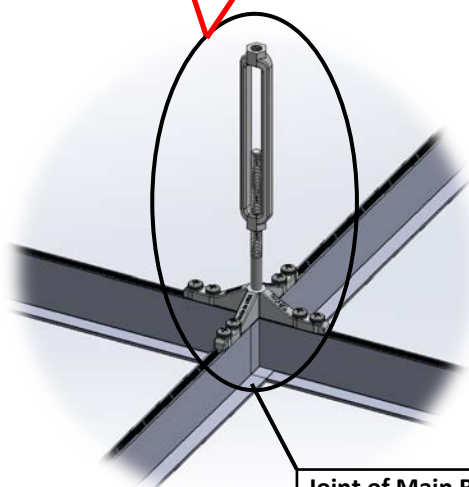
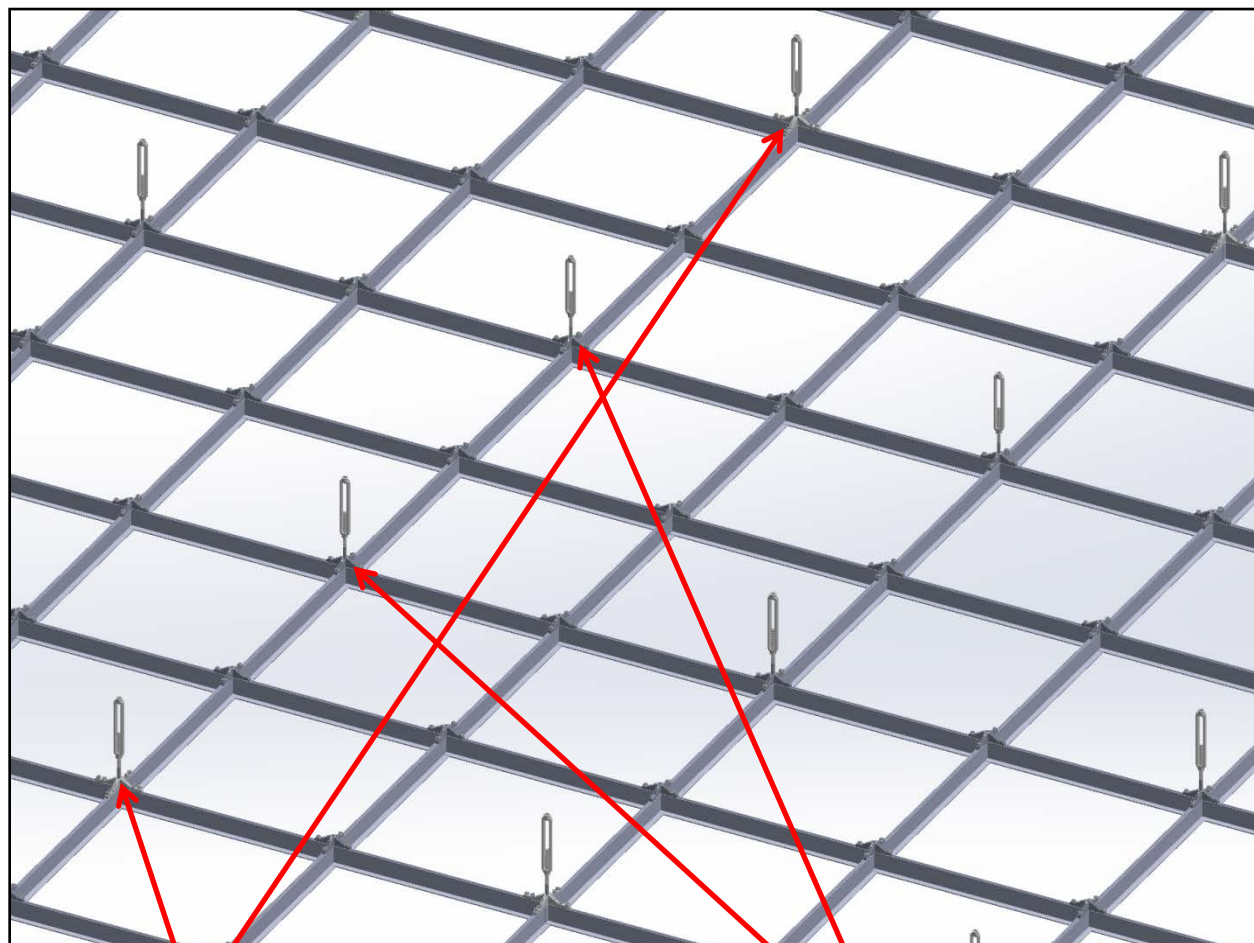
The main runners are not symmetric, they must all be oriented in the same direction. Be sure that all runs of main runners are oriented in the same direction or the grid will not align properly.



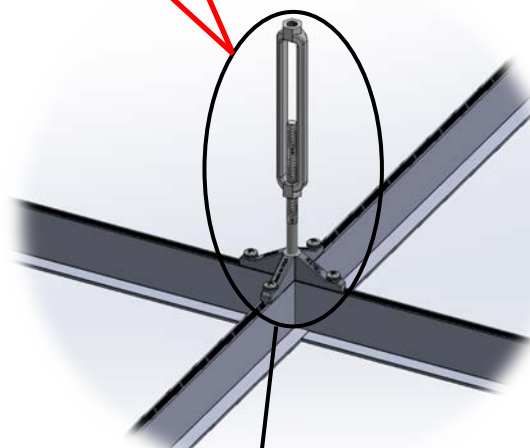
Bolt Torque

All bolt connections to the top slot of the grid should be tightened flush to a washer with a maximum torque value of 30 in-lb, using a torque limiting screw gun.

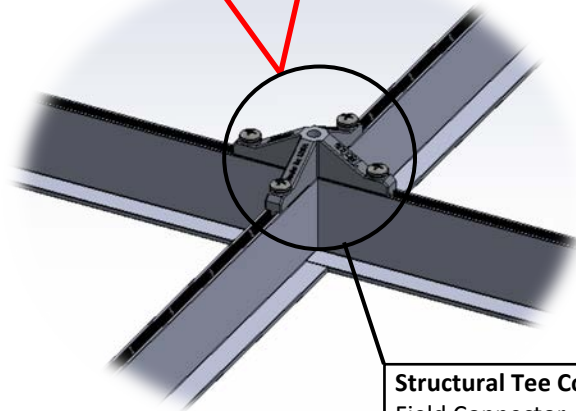
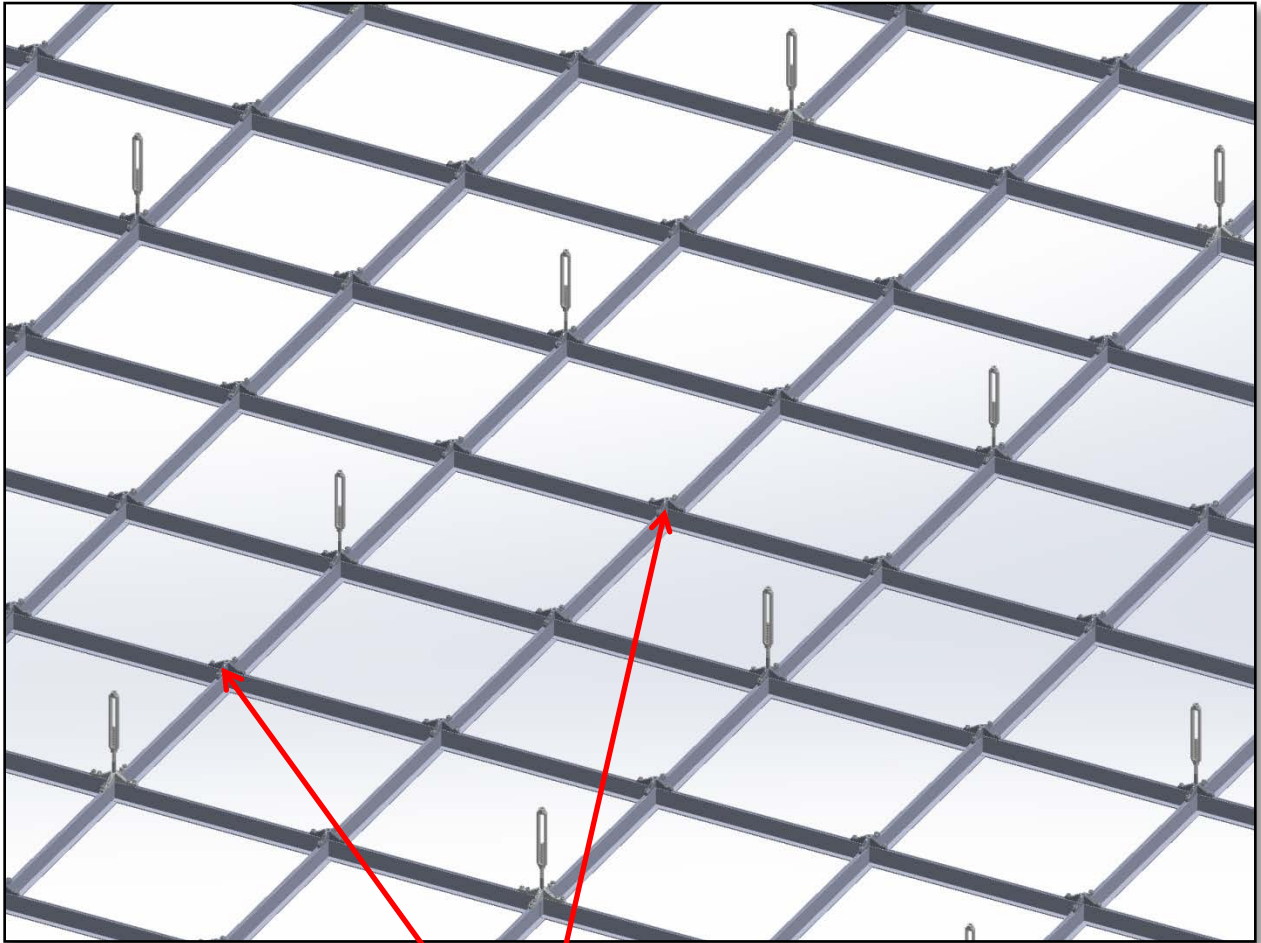
All bolt or nut connections to the bottom slot of the grid should be tightened flush to a washer or mounting bracket with a maximum torque value of 30 in-lb, using a torque limiting screw gun.



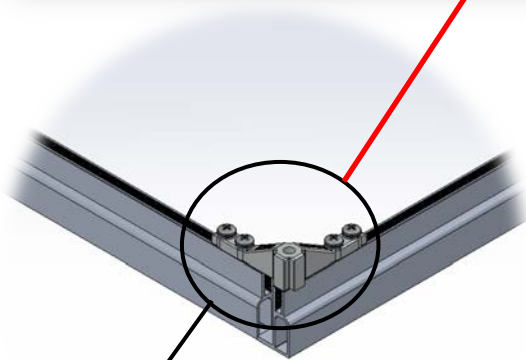
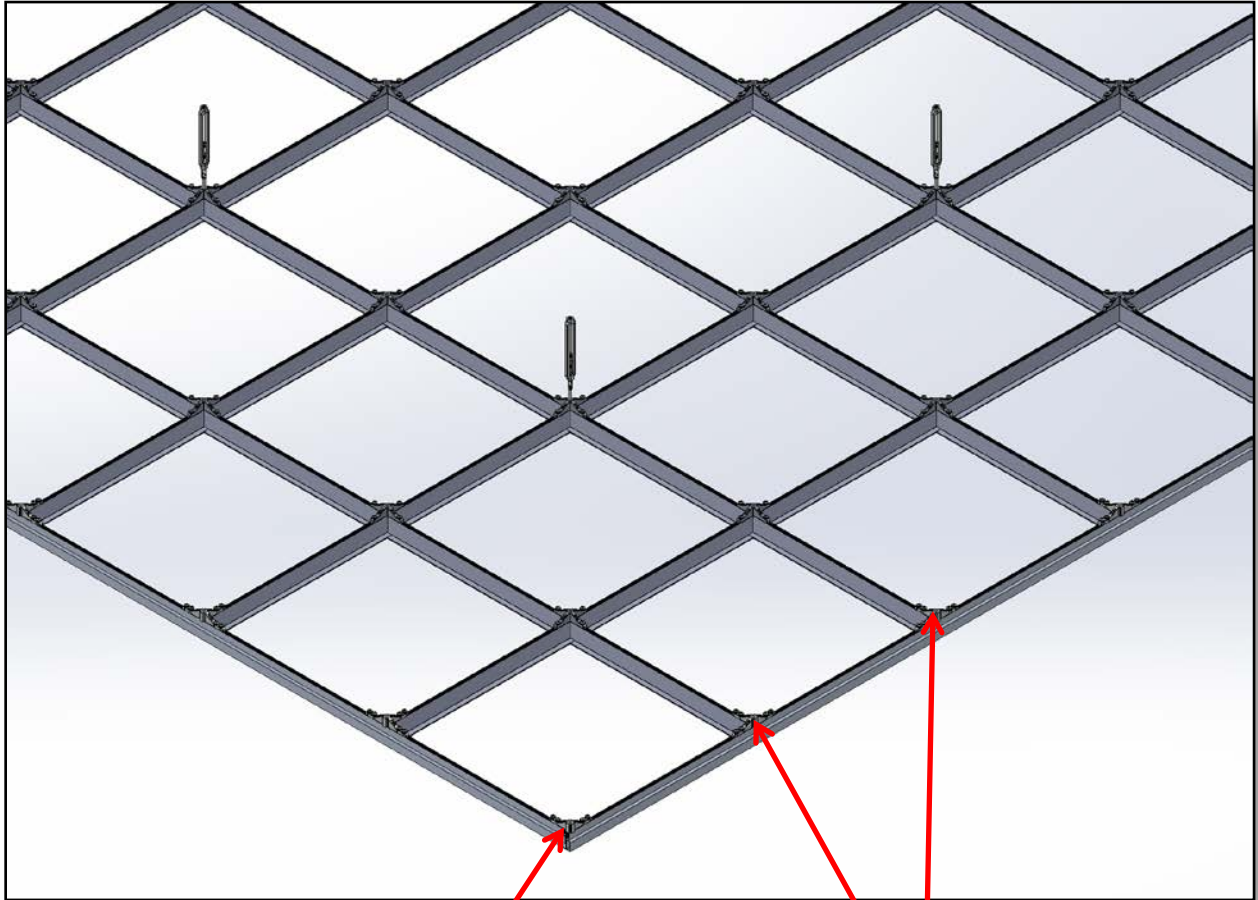
Joint of Main Runners
Turnbuckle & Starter Rod
XL Connector
1/4"-20 Screw
1/4" Washer



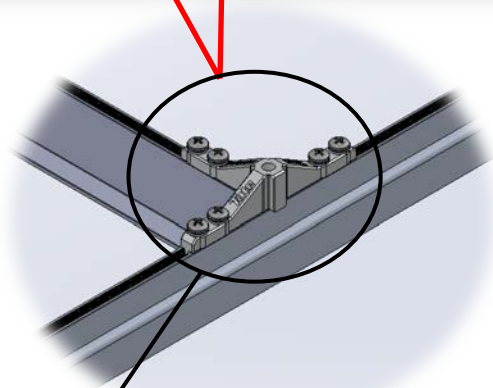
Turnbuckle Drops mid-Main Runner
Turnbuckle & Starter Rod
Field Connector
1/4"-20 Screw
1/4" Washer



Structural Tee Connections
Field Connector
1/4"-20 Screw
1/4" Washer



Perimeter Intersection
Perimeter Connector (2 legs removed in field)
1/4"-20 Screw
1/4" Washer



Perimeter & Structural Tee/MR Intersection
Perimeter Connector (1 leg removed in field)
1/4"-20 Screw
1/4" Washer