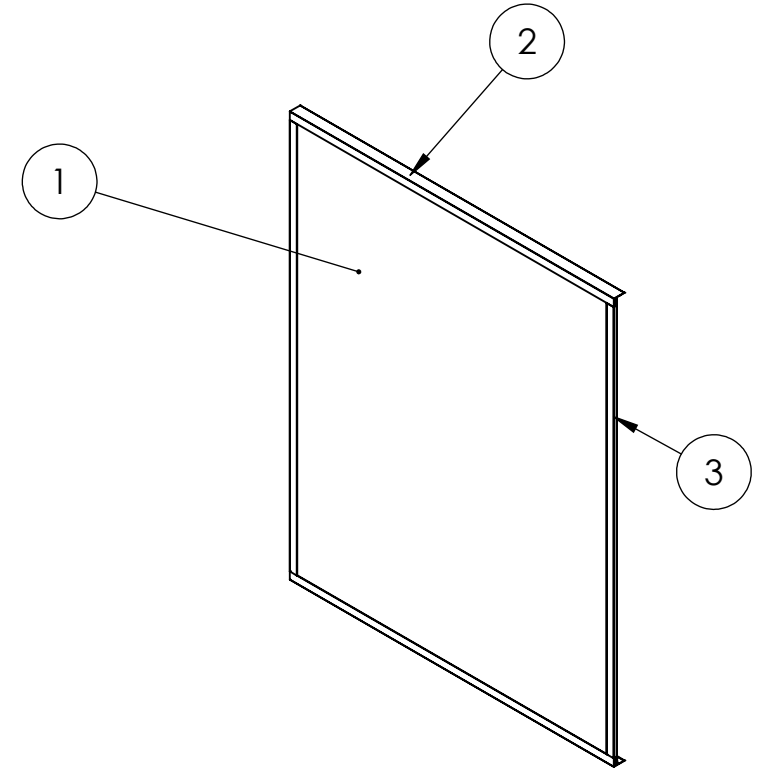
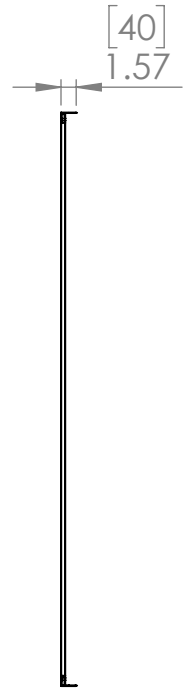
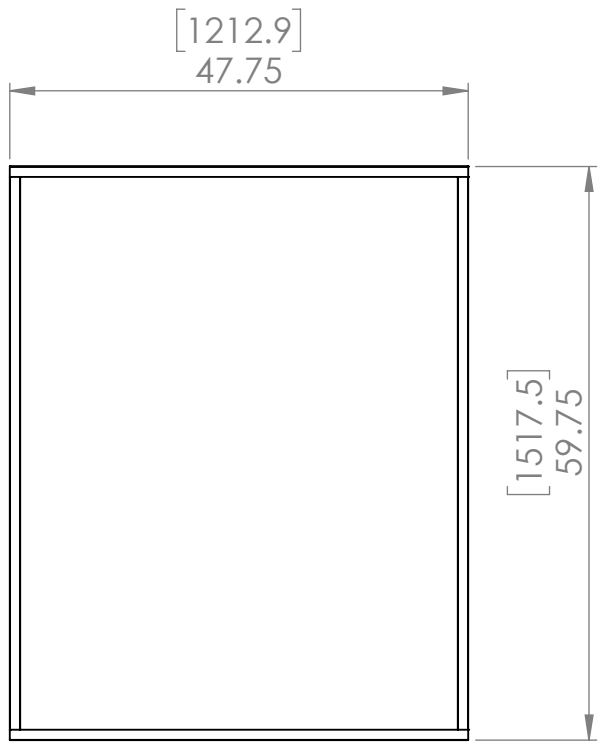
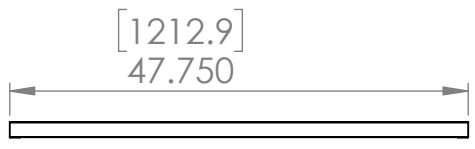


ITEM NO.	PART NUMBER	DESCRIPTION	QTY.
1	Multiwall Polycarb 21006	Over Door PC	1
2	8mm F Channel	Over Door Horizontal	2
3	8mm U	Over Door Vertical	2



PROPRIETARY AND CONFIDENTIAL
 THE INFORMATION CONTAINED IN THIS DRAWING IS THE SOLE PROPERTY OF TATE ACCESS FLOORS. ANY REPRODUCTION IN PART OR AS A WHOLE WITHOUT THE WRITTEN PERMISSION OF TATE ACCESS FLOORS IS PROHIBITED.

UNLESS OTHERWISE SPECIFIED:
 DIMENSIONS ARE IN INCHES (MM)
 TOLERANCES:
 ANGULAR: ±1
 ONE PLACE DECIMAL ±.1
 TWO PLACE DECIMAL ±.01
 THREE PLACE DECIMAL ±.005

DRAWN BY:
 R MORRISON
 DATE:
 8/7/2018
 DO NOT SCALE DRAWING

Tate
 TITLE: **CALTHP60 48**
 OVERALL

SIZE B	DWG. NO. 98-2949	REV 0
SCALE: NTS		SHEET 1 OF 1