



ContainAire®

Hinged Door Autocloser

Pictogram User Installation Guide





Introduction

Thank you for choosing a Tate Airflow product. Tate Airflow products are engineered to maximize the efficiency of your data center air handling system by isolating cold supply and hot exhaust airflow. We would be interested in hearing any comments you may have on this installation manual, product, or overall experience. Please call or e-mail our Technical Service Department:

Phone: 410-799-4200

E-mail: tateinfo@tateinc.com

Safety

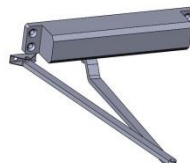
- Wear personal protective equipment (PPE) when drilling, cutting, or installing. PPE includes gloves, safety eyeglasses, hardhats, etc.
- Do not leave the site unattended until the installation is complete.

Included Components

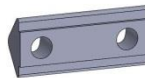
- A - 1 x Mounting Bracket



- B - 1 x Autocloser



- C - 2 x Roll In Double T-Nuts



- D - 2 x Roll In Single T-Nuts



- E - 4 x M6x20mm FHSCS



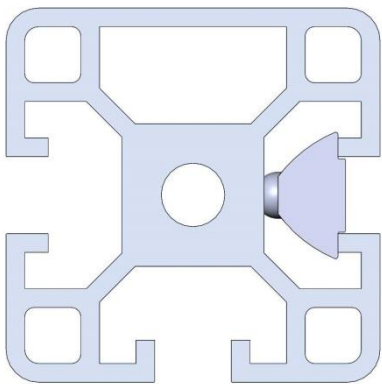
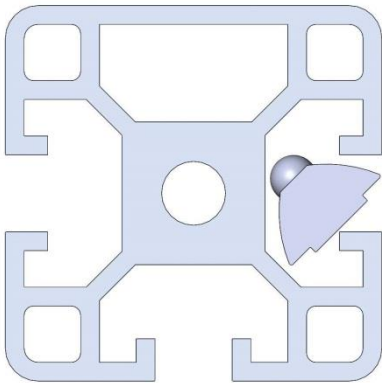
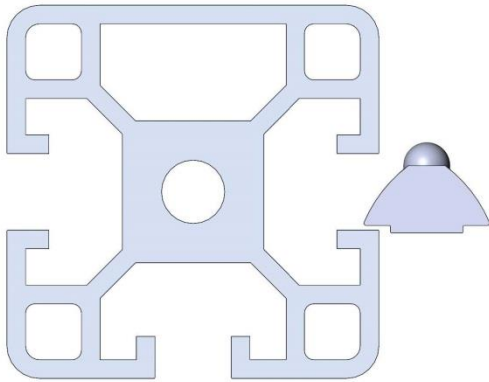
- F - 2 x M6x16mm BHCS





NOTE:

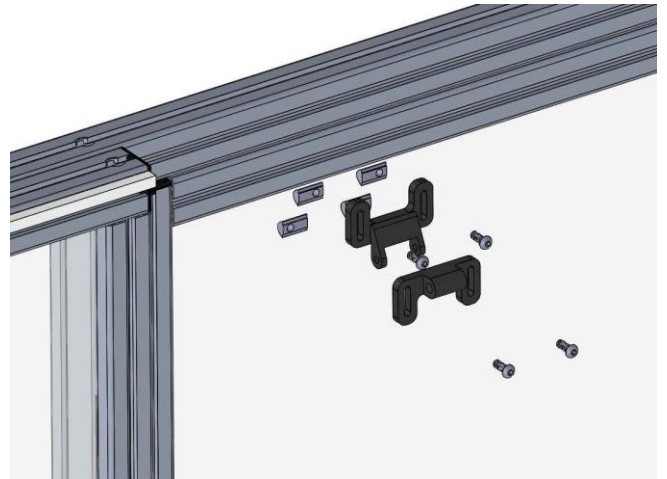
T-nuts can be 'rolled' in and out of the extrusion. No need for disassembly





STEP 1:

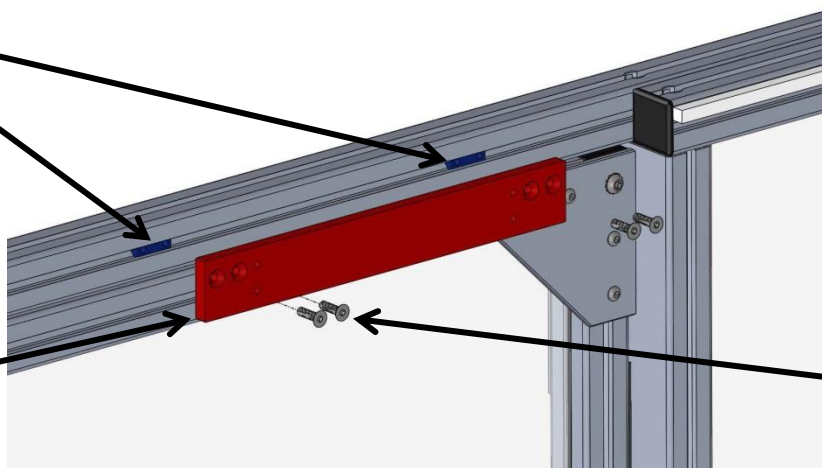
Remove or offset Double Ball Catch. This is not needed with an autocloser.



STEP 2:

Mount Autocloser Plate to Header.

C – Roll In Double T-Nut (x2)



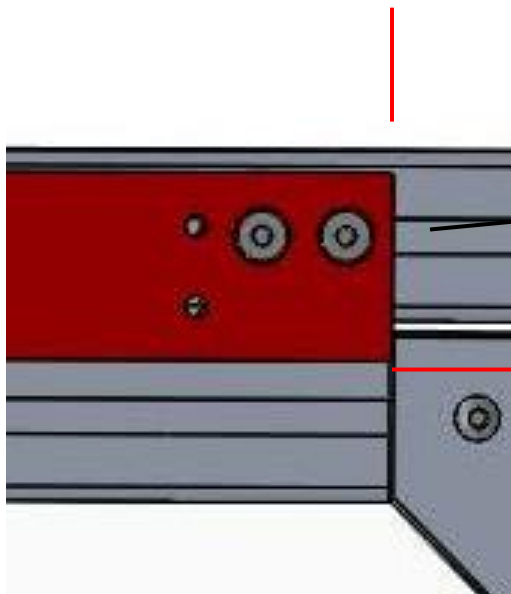
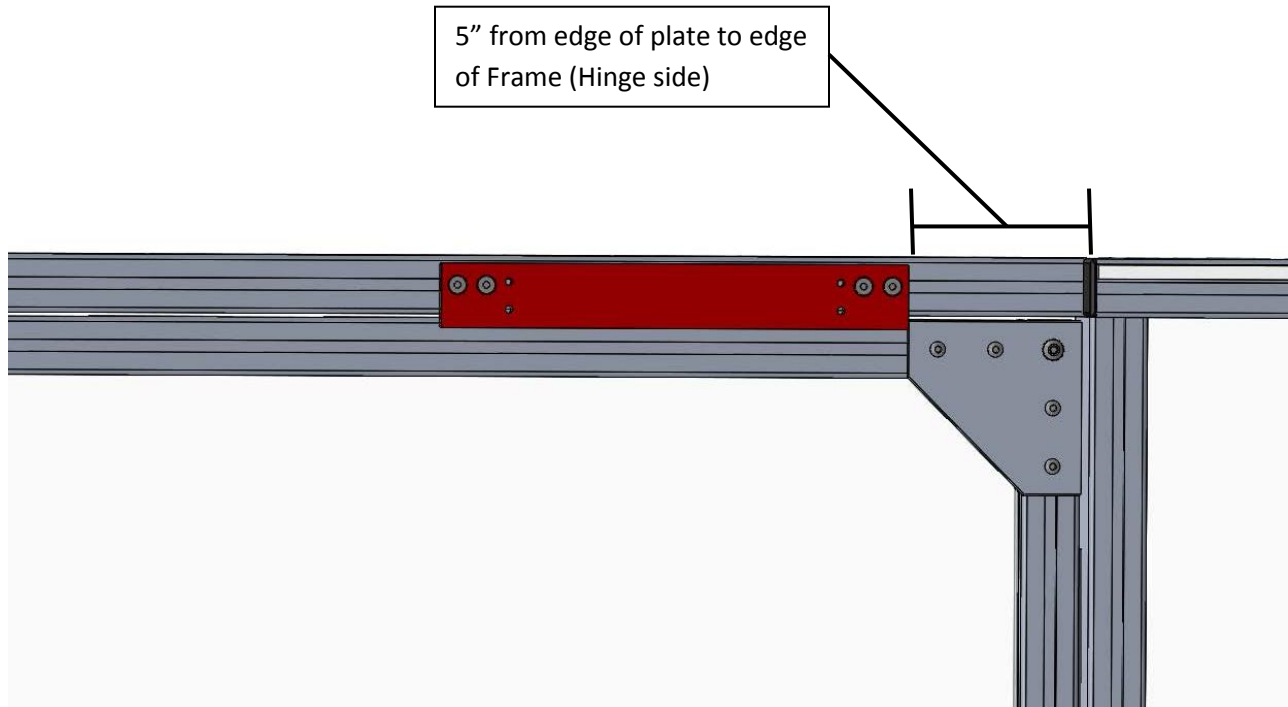
A – Mounting Plate (x1)

E – M6x20mm FHSCS (x4)



STEP 3:

Locate Mounting Plate along Header, and tighten the screws to lock in place.



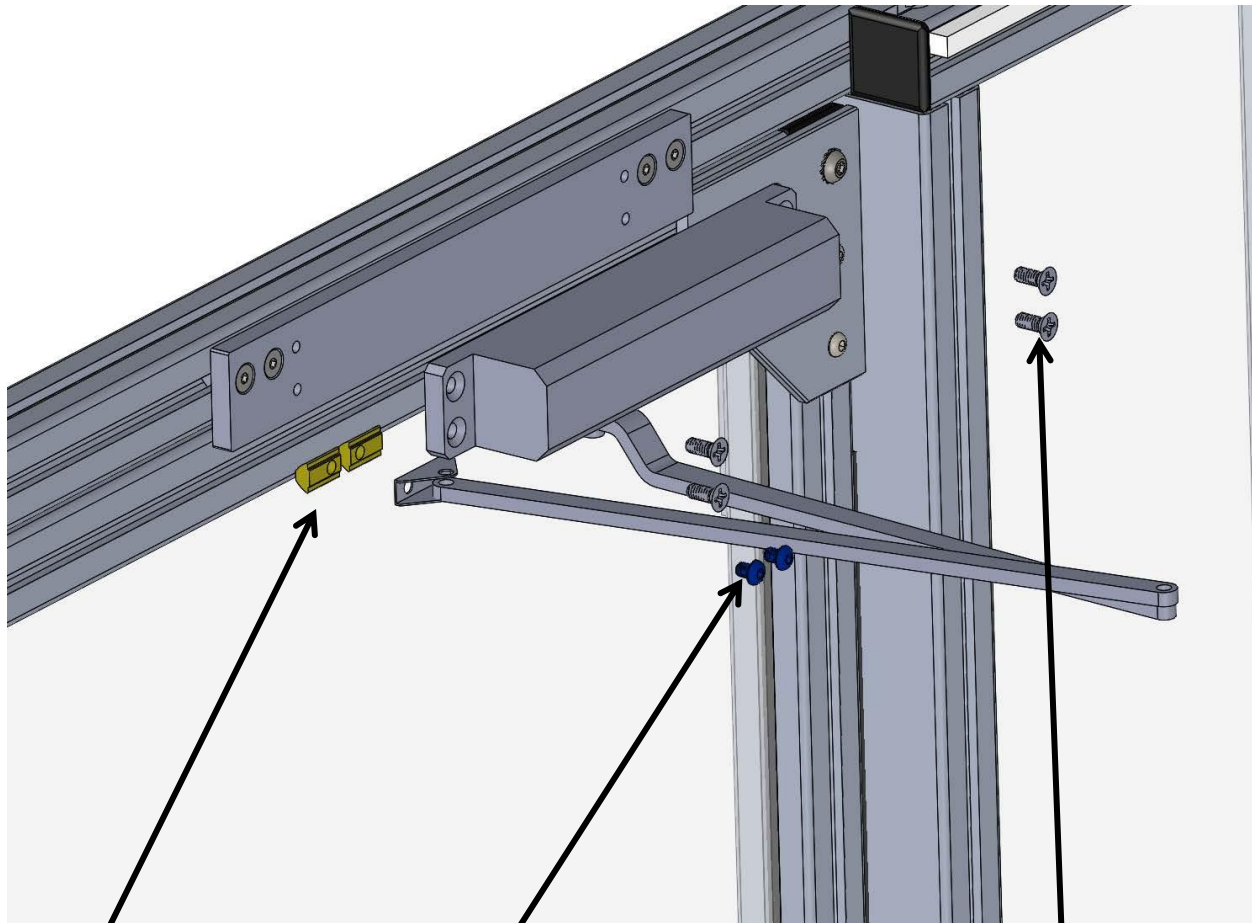
NOTE: ORIENT PLATE SO THAT THE BOTTOM SLIGHTLY OVERHANGES THE HEADER



STEP 4:

Mount the Autocloser body to the mounting plate.

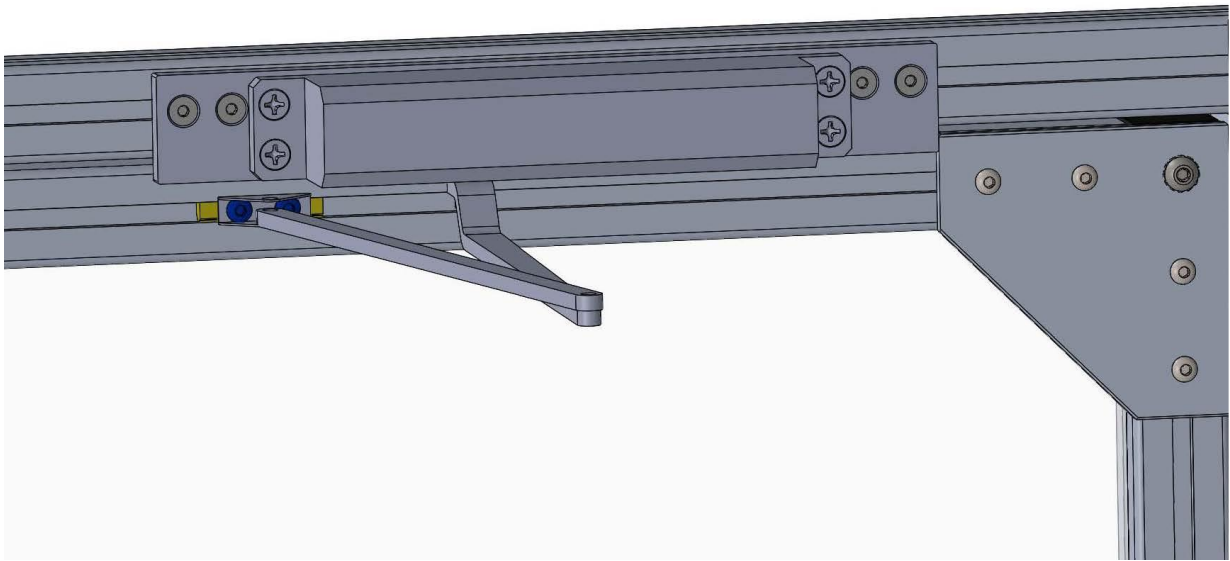
Orient the Autocloser body so that the side with the two adjustment screws, are facing the hinge side of the door.



D – Roll In Single
T-Nut
(x2)
Placed in door

F – M6x8mm
(x2)
Mounts rocker
Arm to door

¼-20 FHMS
(included in
autocloser body
box)



Thank you for using Tate Airflow!